

ASSEMBLY INSTRUCTIONS

Description: **SUNSET CLIFF QUEEN BED**









Important safety instructions:

- Please read carefully all instructions before assembly.
- For your safety and ease, assembly by two or more adults is recommended.
- Keep instructions for future use.




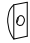


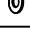



Pre-assembly:

- Do not discard any content until assembly is complete to avoid accidentally discarding small parts or hardware.
- Take out all parts and hardware from box.

Parts List

Item	Description	QTY
P1	Headboard 	1
P2	Footboard 	1
P3	Left Back Leg 	1
P4	Right Back Leg 	1
P5	Stretcher 	1
P6	Side rail 	2
P7	Center Leg 	5
P8	Slat 	5

Hardware List

Item	Description	QTY
H1	Bolts Ø5/16" x 3-1/8"L 	8
H2	Bolts Ø5/16" x 2"L 	6
H3	Bolts Ø1/4" x 1-3/8"L 	2
H4	"C" Washer Ø5/16" 	8
H5	Hex Nut Ø5/16"x12xH12mm 	8
H6	Lock Washers 5/16" 	8
H7	Flat Washers 5/16"x19 	8
H8	Allen Wrench 	1
H9	Spanner 	1
H10	Screw M4 x 1-1/8"L 	10

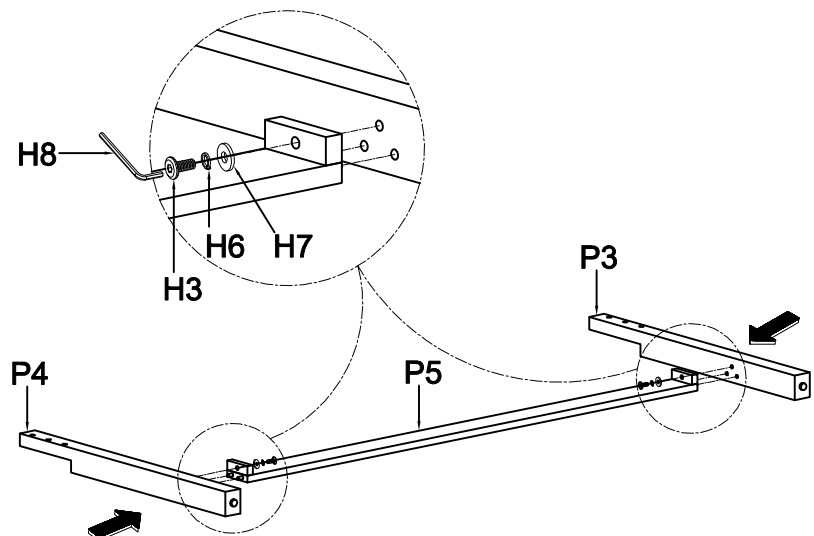
DISCLAIMER:

WHEN PROPERLY ASSEMBLED, THIS ITEM IS SAFE FOR INTENDED USE. SELLER IS NOT LIABLE FOR ANY DAMAGES RESULTING FROM ITEM BEING IMPROPERLY ASSEMBLED AFTER PURCHASE.





Assembly Procedures:

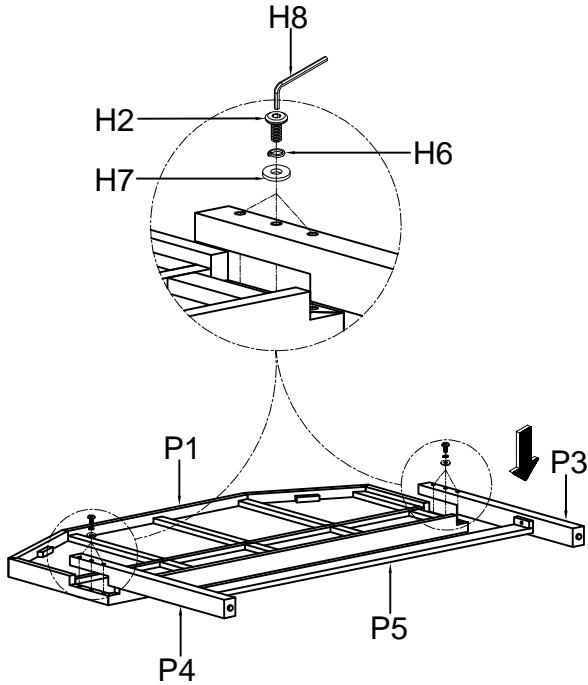
Step 1: Assemble the bed on a flat, soft surface such as a carpet or cloth to prevent scratching the finish. Attach Left Leg (P3) and Right Leg (P4) to Stretcher (P5) as shown below:

- (H3)x2 Bolts Ø1/4" x 1-3/8"L 
- (H6)x2 Lock Washers 5/16" 
- (H7)x2 Flat Washers 5/16"x19 
- (H8)x1 Allen Wrench 







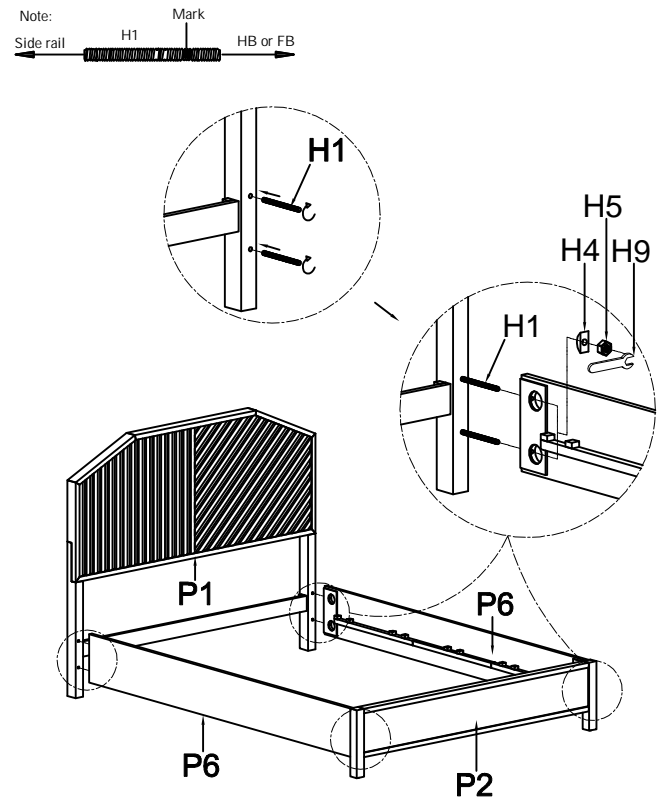
Step 2: Attach Left Leg (P3) and Right Leg (P4) to Headboard (P1), as shown below. Tighten all bolts.

- (H2)x6 Bolts Ø5/16" x 2"L 
- (H6)x6 Lock Washers 5/16" 
- (H7)x6 Flat Washers 5/16"x19 
- (H8)x1 Allen Wrench 

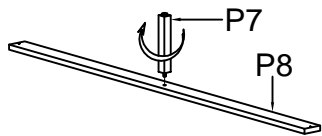


Step 3: Attach Side rails (P6) to Headboard (P1) and Footboard (P2), as shown below. Tighten all nuts.

- (H1)x8 Bolts Ø5/16" x 3-1/8"L 
- (H4)x8 "C" Washer Ø5/16" 
- (H5)x8 Hex Nut Ø5/16"x12xH12mm 
- (H9)x1 Spanner 

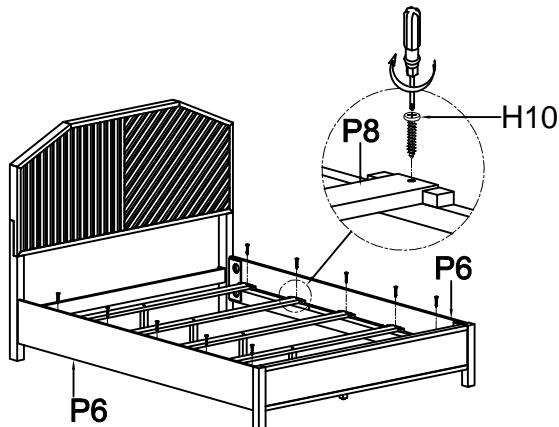


Step 4: Attach Center Legs (P7) to Slats (P8) as shown below:

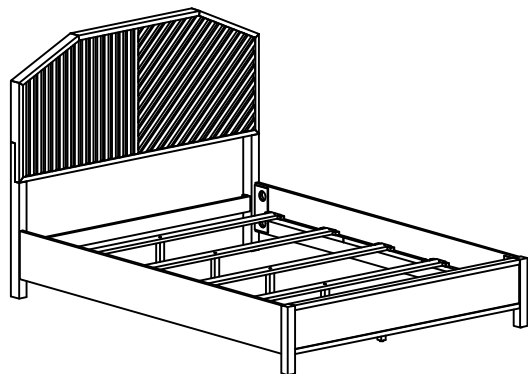


Step 5: Attach Slats (P8) to Side rails (P6), as shown below:

- (H10)x10 Screw M4 x 1-1/8"L 



Step 6: Assembly is complete.



ADDITIONAL NOTE ABOUT SAFETY: BOLTS MAY LOOSEN DURING NORMAL EVERYDAY USE. THEY SHOULD BE PERIODICALLY INSPECTED AND RE-TIGHTENED TO PREVENT DAMAGE OR INJURY. ALWAYS CHECK TO ENSURE THAT ALL HARDWARE IS KEPT TIGHTENED.

Thank you for your purchase